

SERIES
52600

- Sizes 16" (DN 400) through 24" (DN 600)
- Provides emergency relief in the event of an external fire
- Vents directly to atmosphere
- Pressure setting achieved by weight loading
- Vacuum setting achieved by spring loading
- Leakage rate of less than 1 SCFH of air at 90% of set point
- Reseats automatically when tank pressure is reduced
- Conforms to the latest ATEX Directive
- Patented, FEP film "Air-Cushioned Seating"
- Low-leak pallet design - certified test reports
- Available in Carbon Steel, Aluminum & Stainless Steel



OBJECTIVE

Protectoseal's Series 52600 Emergency Pressure / Vacuum Relief Vents are designed to provide emergency relief capacity beyond that available through the operating vents on tanks. In emergency situations (external fire involvement of the tank), normal venting devices may be too small to prevent over-pressurization of the tank. The Series 52600 provides the necessary pressure relief capacity to maintain the tank in a safe operating range. The integral vacuum vent provides additional protection against tank collapse due to excessive vacuum in the vapor space.

TECHNIQUE

The Series 52600 Emergency Pressure / Vacuum Relief Vent provides an effective vapor-tight seal until pressure or vacuum relief is required to protect the tank. The vacuum vent is spring loaded to relieve at a negative pressure of ½ oz./in.². Entry of foreign materials through the vacuum and pressure seating areas is precluded by use of a wire mesh screen.

The pressure relieving pallet is designed to lift only far enough to flow its rated capacity should high tank pressure be encountered then reseal automatically when the tank pressure is reduced. The guide posts (mounted on the flange) ensure proper guiding and positioning of the pallet on the seating surface.

SPECIAL FEATURES

Fast Inspection, Easy Maintenance. Proprietary design allows for easy, convenient handling for installation, inspection and maintenance.

Maintains Accurate Pressure Settings. Set points are accurate to within +/- 3% across the entire range of available pressure and vacuum relief settings shown in the chart on the reverse. Set point accuracy is assured by stringent machining, assembly and test procedures. Higher settings are available upon special request, but may require longer lead times.

Air-Cushioned Seating. A flat, smooth diaphragm of FEP film is supported on both sides of an annular channel to form a floating air seal with the seat. An outer support rim assures proper seating.

Low-Leak Pallets. Leakage on pallet is no more than 1 SCFH at 90% of the set pressure.

Sizes Available. Available in 16" (DN 400) through 24" (DN 600) sizes. Flanged to mate with flat face flanges, 125# ANSI, API (20" or 24" only) or DIN PN 16 bolting specifications. Other drilling patterns are also available upon special request.

PRO-FLOW® Sizing and Selection.

Use Protectoseal's PRO-FLOW® Sizing and Selection Software to select the correct size unit for emergency pressure and vacuum relief calculated in accordance with API 2000, ISO 28300, NFPA 30 and OSHA 1910.106.

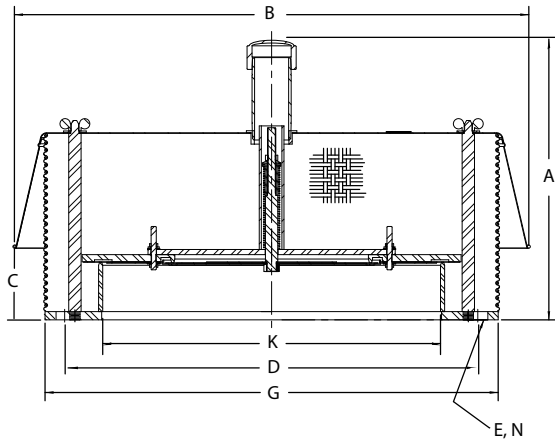
CONSTRUCTION

A comprehensive range of materials is offered as shown in the chart below.

Available Options.

- Alternate diaphragm materials
- Material certifications for flange and seat
- Mechanical or electronic indication of vent opening
- FEP coating
- Kynar® coating (*Kynar® is a Registered Trademark of Arkema, Inc.*)
- Special cleaning and packaging

Series	Base Flange/Seat	Hood	Pallet	Diaphragm
AX52600	Steel/316 S.S.	Aluminum	Aluminum	FEP Film
AXCS52600	Steel/316 S.S.	Steel	316 S.S.	FEP Film
AXF52600	316 S.S.	316 S.S.	316 S.S.	FEP Film



Dimensions shown are for reference only, contact Factory for certified drawings.

DIMENSIONS & ORDERING INFORMATION

Cat. No.	Flange Size	I.D. K	Ht. A	Width B	Width C	B.C. D	Dia. G	Dia. E	Holes N
52616ASA	16"	15 ¹ / ₄ "	18"	26 ³ / ₄ "	4 ³ / ₈ "	21 ¹ / ₄ "	23 ¹ / ₂ "	1 ¹ / ₈ "	16
52616DN	DN 400	410mm	457mm	679mm	111mm	525mm	580mm	30mm	16
52618ASA	18"	15 ¹ / ₄ "	18"	26 ³ / ₄ "	4 ³ / ₈ "	22 ³ / ₄ "	25"	1 ¹ / ₄ "	16
52618DN	DN 450	462mm	457mm	679mm	111mm	578mm	635mm	30mm	16
52620ASA	20"	20 ¹ / ₂ "	18"	32"	4 ³ / ₈ "	25"	27 ¹ / ₂ "	1 ¹ / ₄ "	20
52620API	20"	20 ¹ / ₂ "	18"	32"	4 ³ / ₈ "	23 ¹ / ₂ "	26"	³ / ₄ "	16
52620DN	DN 500	513mm	457mm	813mm	111mm	650mm	715mm	33mm	20
52624ASA	24"	24"	18"	39"	4 ³ / ₈ "	29 ¹ / ₂ "	32"	1 ³ / ₈ "	20
52624API	24"	24"	18"	39"	4 ³ / ₈ "	27 ¹ / ₂ "	30"	³ / ₄ "	20
52624DN	DN 600	616mm	457mm	991mm	111mm	770mm	840mm	36mm	20

Add Prefix	Base Flange/Seat	Hood	Pallet	Diaphragms
AX	Steel/316 S.S.	Aluminum	Aluminum	FEP Film
AXCS	Steel/316 S.S.	Steel	316 S.S.	FEP Film
AXF	316 S.S.	316 S.S.	316 S.S.	FEP Film

PRESSURE & VACUUM SETTINGS (Consult factory for settings outside of STANDARD range.)

Series	Flange Size	STANDARD MINIMUM SETTINGS						STANDARD MAXIMUM SETTINGS					
		Pressure			Vacuum			Pressure			Vacuum (Note 1)		
		oz./in. ²	in. W.C.	kPa	oz./in. ²	in. W.C.	kPa	oz./in. ²	in. W.C.	kPa	oz./in. ²	in. W.C.	kPa
AX52616	16" / DN 400	0.75	1.30	0.32	0.50	0.87	0.21	6.00	10.39	2.59	0.75	1.30	0.30
AXCS & AXF52616	16" / DN 400	1.79	3.10	0.76	0.50	0.87	0.21	6.00	10.39	2.59	0.75	1.30	0.30
AX52618	18" / DN 450	0.75	1.30	0.32	0.50	0.87	0.21	6.00	10.39	2.59	0.75	1.30	0.30
AXCS & AXF52618	18" / DN 450	1.79	3.10	0.76	0.50	0.87	0.21	6.00	10.39	2.59	0.75	1.30	0.30
AX52620	20" / DN 500	0.83	1.44	0.36	0.50	0.87	0.21	6.00	10.39	2.59	0.75	1.30	0.30
AXCS & AXF52620	20" / DN 500	2.05	3.55	0.87	0.50	0.87	0.21	6.00	10.39	2.59	0.75	1.30	0.30
AX52624	24" / DN 600	0.89	1.54	0.38	0.50	0.87	0.21	6.00	10.39	2.59	0.75	1.30	0.30
AXCS & AXF52624	24" / DN 600	2.27	3.94	0.97	0.50	0.87	0.21	6.00	10.39	2.59	0.75	1.30	0.30

Note1, For above standard vacuum setting range:
 Add suffix /V1 - 0.75 oz./in.² up to and including 1.29 oz./in.²
 Add suffix /V2 - Above 1.29 oz./in.² up to and including 3.90 oz./in.²
 Add suffix /V3 - Above 3.90 oz./in.² up to and including 5.0 oz./in.²

ADDITIONAL PRODUCTS FROM PROTECTOSEAL

Series 18540




Pipe-Away Pressure Vacuum Relief Vent for applications that require hazardous vapors be processed into manifolded piping and not released into the atmosphere.

Series 7800




Emergency Vent protects tanks against rupture or explosion resulting from excessive internal pressure caused by exposure to fires.

Series 4950



Vent Line / In-Line Parallel Plate Flame Arrester is designed for installation in open vent pipe or bleed lines from storage or processing tanks. Suitable for NEC Group D (IEC Group IIA) vapors.

Series 830



Combination Pressure / Vacuum Relief Vent & Flame Arrester provides pressure and vacuum relief as well as protection from propagation of externally introduced flames. Suitable for NEC Group D (IEC Group IIA) vapors.