



- Series 45000E - Sizes DN 50 (2") through DN 300 (12")
- Series 46000E - Sizes DN 50 (2") through DN 100 (4")
- Series 45000E - Suitable for use with ISO 16852 Explosion Group IIA (generally equivalent to NEC 500 Group D) vapors
- Series 46000E - Suitable for use with ISO 16852 Explosion Group IIA & IIB3 (generally equivalent to NEC 500 Group D & C) vapors
- Approved according to the latest ATEX Directive, ISO 16852
- Protects against fire and explosion
- Minimizes pressure drop under normal operating conditions
- Optional connections for drains, pressure taps or temperature probes
- Available in Carbon Steel, Stainless Steel & Alloy C276

SERIES
45000E
46000E

OBJECTIVE

The Protectoseal Series 45000E / 46000E In-Line Deflagration Flame Arresters are designed to withstand low, medium and high pressure deflagrations (subsonic). These arresters are bi-directional and capable of stopping a flame approaching from either direction in a piping system.

Models suitable for use with ISO 16852 Explosion Group IIA & IIB3 vapors generally equivalent to National Electrical Code (NEC) Group D & C vapors.

TECHNIQUE

Deflagration arresters are required for safety in piping containing flammable vapors, as encountered in vapor recovery or manifolded tank systems. These units are bi-directional, in-line deflagration arresters and can be mounted vertically or horizontally in the pipeline. Suitable for varying distances from the unprotected side of the vent pipe, maximum distance ($L_v/D=50$), and within the maximum operating pressures as shown in the table below.

APPROVALS

Classified according to the latest ATEX Directive, ISO 16852 as Bi-Directional, In-Line Deflagration Flame Arresters DEF tested for deflagrations with limitations imposed on the location within the piping.

Maximum Operating Pressure: See table below

Maximum Operating Temperature: 60°C (140° F)

Approved DEF deflagration arresters that are suitable for short time burn (Class 'b' according to ISO 16852) are available.

Approved DEF deflagration arresters that are not rated for short time burn or endurance burn (Class 'c' according to ISO 16852) are available.

SPECIAL FEATURES

The Series 45000E / 46000E Deflagration Flame Arrester designs utilize improved-flow, crimped metal flame arrester elements. High strength, welded housing, hydrostatically tested at 235 PSIG (16.2 BARG). Pneumatically tested at 30 PSIG (2.07 BARG).

Configuration. Concentric housing.

Sizes Available. Refer to Part Numbering System Charts on pages 2 and 3 for available sizes and bolting specifications.

Short Time Burn Rating. Protectoseal's Series 45000E / 46000E Deflagration Arresters are suitable for short time burn when additional external safety equipment is properly used in accordance with the requirements of EN ISO 16852. Refer to page 4 for more information.

Optional Fittings. Connections for drains, pressure taps or temperature probes if required.

Precision Manufacturing. Manufactured under Protectoseal's ISO 9001 and ISO / IEC 80079-34 Quality System.

PRO-FLOW® Sizing and Selection Software. Use PRO-FLOW® to calculate flame arrester flow requirements in accordance with API 2000, ISO 28300, NFPA 30 and OSHA 1910.106.

CONSTRUCTION

A comprehensive range of materials is offered as shown in Table 1 of the Part Numbering System on page 2 and 3.

Series/ Part No.	Gas Group		Size		Maximum Distance ($L_v/D=50$)		Maximum Operating Pressure	
	ISO 16852	NEC	DN	ANSI	Meters	Feet	bara	psia
45002E	IIA	D	DN 50	2"	2.50	8.2	1.3	18.85
45003E	IIA	D	DN 80	3"	3.75	12.3	1.1	15.95
45004E	IIA	D	DN 100	4"	5.00	16.4	1.2	17.40
45006E	IIA	D	DN 150	6"	7.50	24.6	1.1	15.95
45008E	IIA	D	DN 200	8"	10.00	32.8	1.1	15.95
45010E	IIA	D	DN 250	10"	12.50	41.0	1.1	15.95
45012E	IIA	D	DN 300	12"	15.00	49.2	1.1	15.95
46002E	IIA & IIB3	D & C	DN 50	2"	2.50	8.2	1.2	17.40
46003E	IIA & IIB3	D & C	DN 80	3"	3.75	12.3	1.1	15.95
46004E	IIA & IIB3	D & C	DN 100	4"	5.00	16.4	1.6	23.21

Series 45000E Bi-Directional In-Line Deflagration Flame Arrester

Suitable for use with ISO 16852 Explosion Group IIA (NEC Group D) Vapors

SERIES 45000E PART NUMBERING SYSTEM - DN 50 (2") through DN 300 (12") sizes

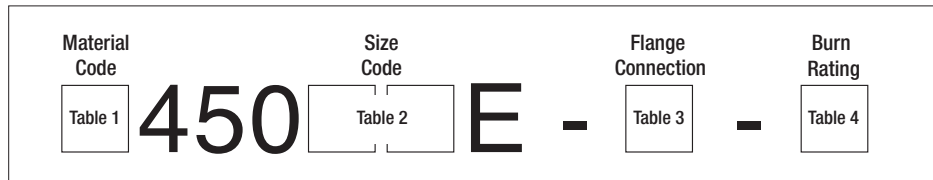


Table 1: Materials of Construction

Option Code	Housing & Element Housing	Element Winding
C	Steel	304 S.S.
S	Steel	316 S.S.
L	304 S.S.	304 S.S.
F	316 S.S.	316 S.S.
M	C276	C276

Table 2: Size

Option Code	Size
02	50 mm / 2"
03	80 mm / 3"
04	100 mm / 4"
06	150 mm / 6"
08	200 mm / 8"
10	250 mm / 10"
12	300 mm / 12"

Table 3: Flange Connection

Option Code	Description
1	ANSI 150 lb. R.F. Flange
2	DIN PN 16 R.F. Flange
3	ANSI 125 lb. F.F. Flange
4	DIN PN 16 F.F. Flange

Table 4: Burn Rating

Option Code	Arrester Description	Number of Taps
1	Not suitable for short time burn or for endurance burn (Class 'c')	0
2	Suitable for short time burn (Class 'b')**	2

** Short time burn rated arresters require the use of additional external safety equipment, see page 4.

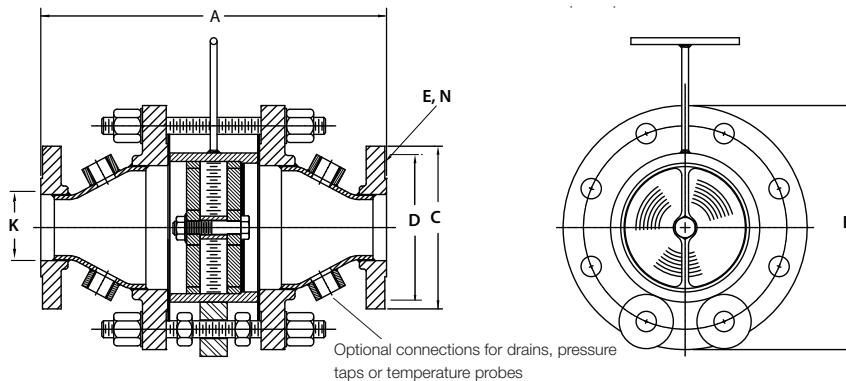
Part Number Example

PART NUMBER: F45004E-1-1

Material	Table 1 - Option Code - F	All 316 S.S.
Size	Table 2 - Option Code - 04	4"
Mounting Connection	Table 3 - Option Code - 1	ANSI 150 lb. R.F. Flange
Burn Test Rating	Table 4 - Option Code - 1	Not suitable (Class 'c')

DIMENSIONS

(Please refer to numbering system above to complete Part No. NOTE: Dimensions shown are for reference only, contact factory for certified drawings.)



Part No.	K - Size / Connection		Face to Face A	Dia. B	Flange O.D. C	B.C. D	Dia. E	Holes N
	ANSI	DIN 16 PN						
1 45002E- ³⁻⁴	2"	-	324mm (12.75")	229mm (9")	152mm (6")	121mm (4.75")	19.1mm (.75")	4
1 45003E- ³⁻⁴	3"	-	422mm (16.6")	279mm (11")	191mm (7.5")	152mm (6")	19.1mm (.75")	4
1 45004E- ³⁻⁴	4"	-	464mm (18.25")	343mm (13.5")	229mm (9")	191mm (7.5")	19.1mm (.75")	8
1 45006E- ³⁻⁴	6"	-	664mm (26.13")	483mm (19")	279mm (11")	241mm (9.5")	22.3mm (.88")	8
1 45008E- ³⁻⁴	8"	-	994mm (39.13")	597mm (23.5")	343mm (13.5")	299mm (11.75")	22.3mm (.88")	8
1 45010E- ³⁻⁴	10"	-	1327mm (52.25")	699mm (27.5")	406mm (16")	362mm (14.25")	25.4mm (1")	12
1 45012E- ³⁻⁴	12"	-	1346mm (53")	813mm (32")	483mm (19")	432mm (17")	25.4mm (1")	12
1 45002E- ³⁻⁴	-	DN 50	324mm (12.75")	229mm (9")	165mm (6.5")	125mm (4.92")	18mm (.71")	4
1 45003E- ³⁻⁴	-	DN 80	422mm (16.6")	279mm (11")	200mm (7.88")	160mm (6.3")	18mm (.71")	8
1 45004E- ³⁻⁴	-	DN 100	464mm (18.25")	343mm (13.5")	220mm (8.66")	180mm (7.09")	18mm (.71")	8
1 45006E- ³⁻⁴	-	DN 150	664mm (26.13")	483mm (19")	285mm (11.22")	240mm (9.45")	22mm (.87")	8
1 45008E- ³⁻⁴	-	DN 200	994mm (39.13")	597mm (23.5")	340mm (13.39")	295mm (11.61")	22mm (.87")	12
1 45010E- ³⁻⁴	-	DN 250	1327mm (52.25")	699mm (27.5")	405mm (15.95")	355mm (13.98")	26mm (1.02")	12
1 45012E- ³⁻⁴	-	DN 300	1346mm (53")	813mm (32")	460mm (18.11")	410mm (16.14")	26mm (1.02")	12

Superscripted numbers refer to table numbers as indicated in the "Part Numbering System" charts.

Series 46000E Bi-Directional In-Line Deflagration Flame Arrester

Suitable for use with ISO 16852 Explosion Group IIA & IIB3 (NEC Group D & C) Vapors

SERIES 46000E PART NUMBERING SYSTEM - DN 50 (2") through DN 100 (4") sizes

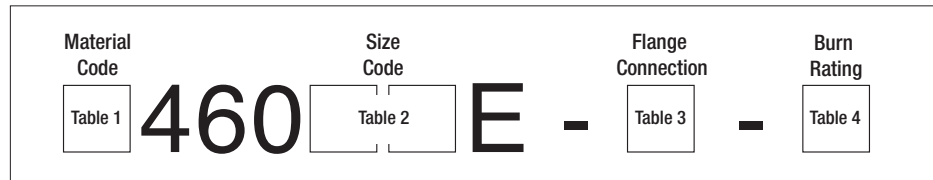


Table 1: Materials of Construction

Option Code	Housing & Element Housing	Element Winding
C	Steel	304 S.S.
S	Steel	316 S.S.
L	304 S.S.	304 S.S.
F	316 S.S.	316 S.S.
M	C276	C276

Table 2: Size

Option Code	Size*
02	50 mm / 2"
03	80 mm / 3"
04	100 mm / 4"

* Consult factory for larger sizes.

Table 3: Flange Connection

Option Code	Description
1	ANSI 150 lb. R.F. Flange
2	DIN PN 16 R.F. Flange
3	ANSI 125 lb. F.F. Flange
4	DIN PN 16 F.F. Flange

Table 4: Burn Rating

Option Code	Arrester Description	Number of Taps
1	Not suitable for short time burn or for endurance burn (Class 'c')	0
2	Suitable for short time burn (Class 'b')**	2

** Short time burn rated arresters require the use of additional external safety equipment, see page 4.

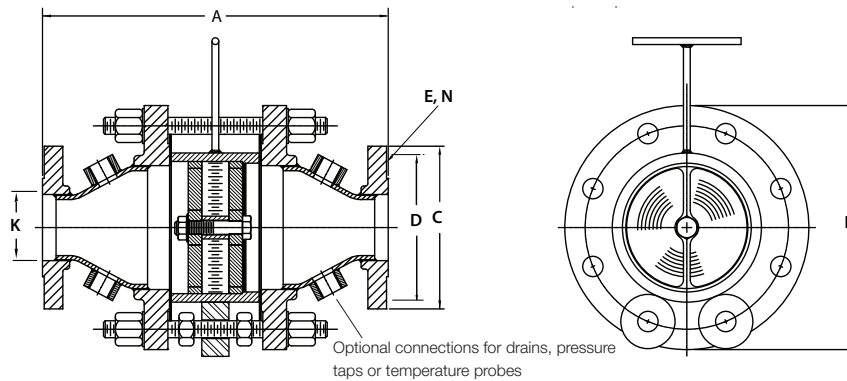
Part Number Example

PART NUMBER: F46004E-1-1

Material	Table 1 - Option Code - F	All 316 S.S.
Size	Table 2 - Option Code - 04	4"
Mounting Connection	Table 3 - Option Code - 1	ANSI 150 lb. R.F. Flange
Burn Test Rating	Table 4 - Option Code - 1	Not suitable (Class 'c')

DIMENSIONS

(Please refer to numbering system above to complete Part No. NOTE: Dimensions shown are for reference only, contact factory for certified drawings.)



Part No.	K - Size / Connection		Face to Face A	Dia. B	Flange O.D. C	B.C. D	Dia. E	Holes N
	ANSI	DIN 16 PN						
1 46002E- ³ - ⁴	2"	-	324mm (12.75")	229mm (9")	152mm (6")	121mm (4.75")	19.1mm (.75")	4
1 46003E- ³ - ⁴	3"	-	473mm (18.63")	279mm (11")	191mm (7.5")	152mm (6")	19.1mm (.75")	4
1 46004E- ³ - ⁴	4"	-	514mm (20.25")	343mm (13.5")	229mm (9")	191mm (7.5")	19.1mm (.75")	8
1 46002E- ³ - ⁴	-	DN 50	324mm (12.75")	229mm (9")	165mm (6.5")	125mm (4.92")	18mm (.71")	4
1 46003E- ³ - ⁴	-	DN 80	473mm (18.63")	279mm (11")	200mm (7.88")	160mm (6.3")	18mm (.71")	8
1 46004E- ³ - ⁴	-	DN 100	514mm (20.25")	343mm (13.5")	220mm (8.66")	180mm (7.09")	18mm (.71")	8

Superscripted numbers refer to table numbers as indicated in the "Part Numbering System" charts.

SHORT TIME BURN RATED ARRESTERS

Protectoseal's Series 45000E / 46000E In-Line Deflagration Flame Arresters are suitable for short time burn when additional external safety equipment is properly used in accordance with the requirements of EN ISO 16852.

Stabilized Burn Rating: [BC:b $t_{BT} = 1$] - Consult factory for tested burn times.

Short time burn arresters are equipped with two 1/2" FNPT taps for the installation of ATEX Approved, intrinsically-safe temperature sensor assemblies. These temperature probes are used to detect a burn on the flame arrester element and send a signal that will trigger emergency functions within a burning time of 50% of the manufacturer's specified burning time, t_{BT} .

All of Protectoseal's deflagration arrester designs provide bi-directional protection. Use two ATEX Approved probes for bi-directional protection; use one ATEX Approved probe for single direction protection. Temperature probe(s) can be purchased from Protectoseal as part of a kit (see Table 5). The kit includes one temperature probe and one thermowell. The use of a thermowell both protects the temperature probe during operation and allows for its removal without discharging flammable vapors to atmosphere.

Temperature probes may also be supplied by the end user as long as they include the use of compatible thermowells, are manufactured in accordance with the latest ATEX directive and meet the following requirements:

- Ex ia intrinsically-safe
- Equipment Group II
- Suitable for Gas Zones 0, 1, 2
- Gas vapor groups IIA and IIB3
- Temperature classification (TBD by customer). T6 offered standard with Protectoseal probes
- Type approval must be independent of thermowell or protection tube

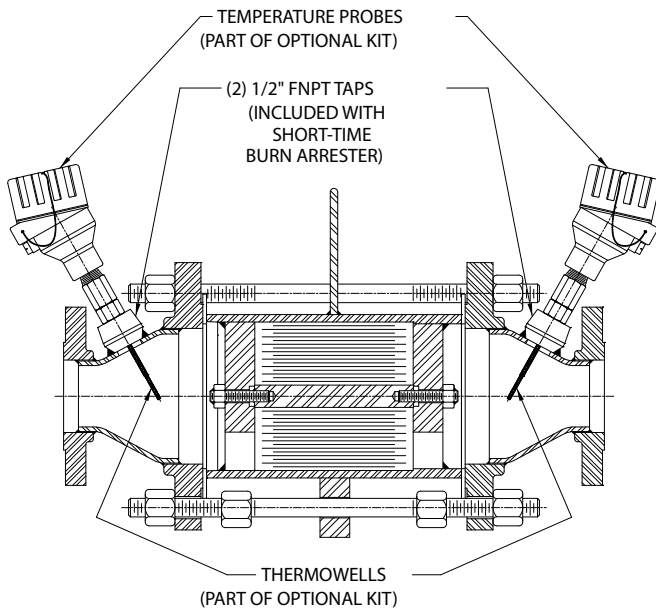


Table 5: Temperature Probe Kits

Series Part Number	Size	Insertion Length	Kit Part No.*
Series 45000E			
<i>ISO 16852 Explosion Group IIA (NEC Group D) Vapors</i>			
45002E- -2	DN 50 or 2" ANSI	200 mm	TP-050-KIT
45003E- -2	DN 80 or 3" ANSI	225 mm	TP-080-KIT
45004E- -2	DN 100 or 4" ANSI	255 mm	TP-100-KIT
45006E- -2	DN 150 or 6" ANSI	290 mm	TP-150-KIT
45008E- -2	DN 200 or 8" ANSI	355 mm	TP-200-KIT
45010E- -2	DN 250 or 10" ANSI	400 mm	TP-250-KIT
45012E- -2	DN 300 or 12" ANSI	455 mm	TP-300-KIT
Series 46000E			
<i>ISO 16852 Explosion Group IIB3 & IIA (NEC Group C & D) Vapors</i>			
46002E- -2	DN 50 or 2" ANSI	200 mm	TP-050-KIT
46003E- -2	DN 80 or 3" ANSI	225 mm	TP-080-KIT
46004E- -2	DN 100 or 4" ANSI	255 mm	TP-100-KIT

* The kit includes (1) temperature probe and (1) thermowell